

A

B

C

D

E

F

REVISION HISTORY			
REV	DESCRIPTION	DATE	BY

1

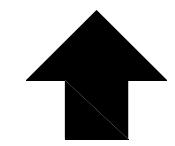
2

3

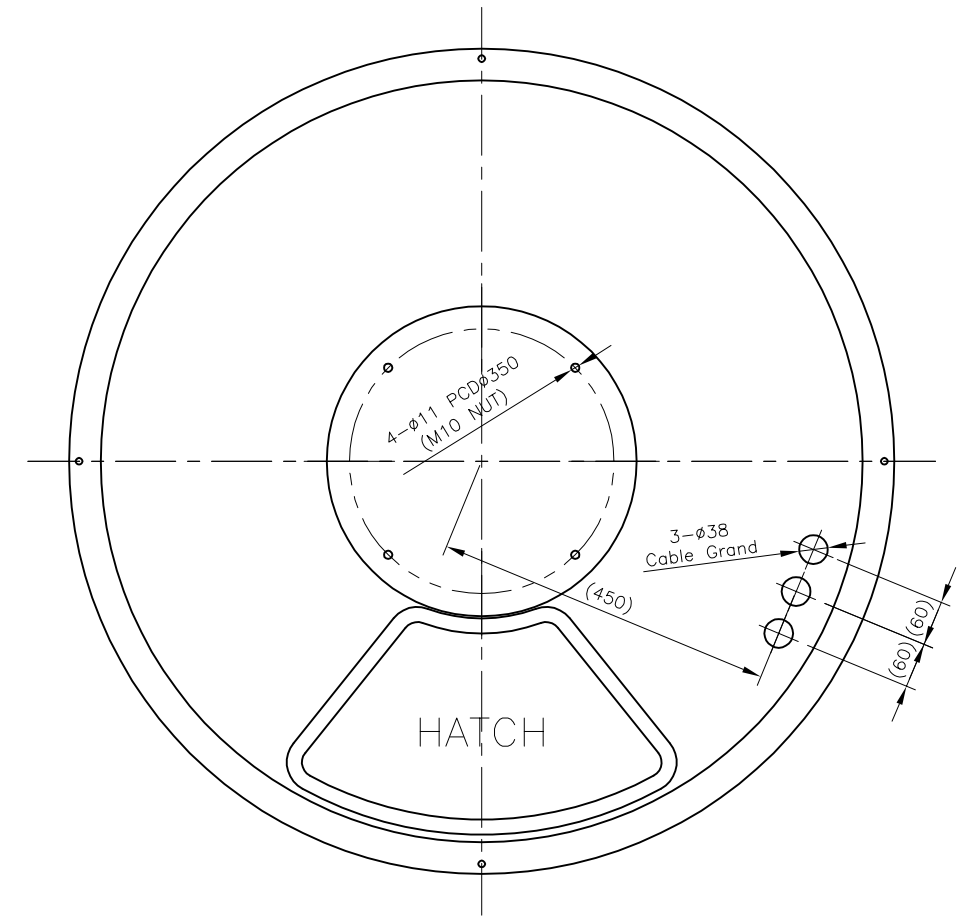
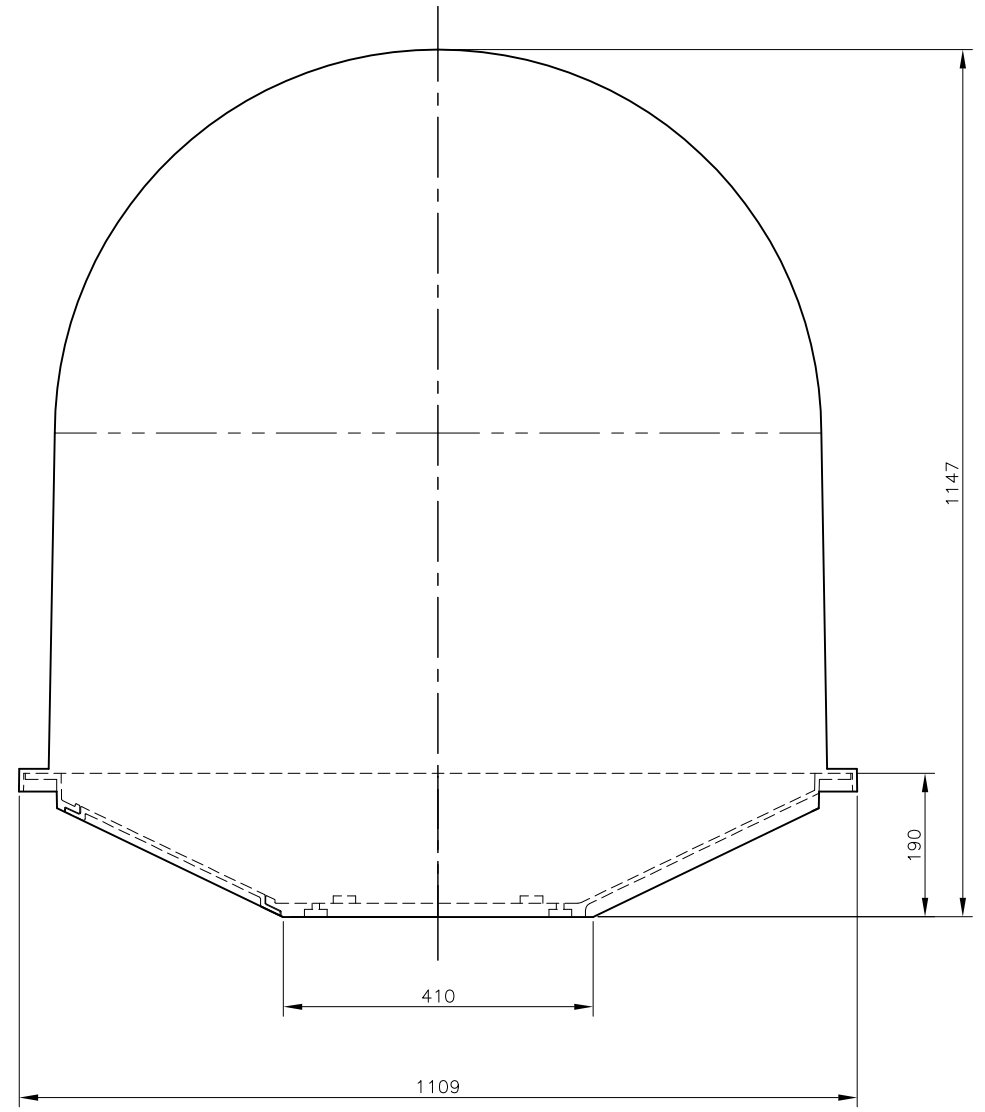
4

5

6



BOW



MOUNTING SURFACE PATTERN
(BOTTOM VIEW)

TOLERANCES UNLESS OTHERWISE SPECIFIED		MATERIAL	2009.10.22	QUANTITY	TITLE	
0.5 ~ 6	±0.1	-		1EA	Radome_S8Z8MK2	
6 ~ 30	±0.2	FINISH	SCALE	WEIGHT	DWG NO.	KNS-
30 ~ 120	±0.3	-	1:10	___(kg)		
120 ~ 400	±0.5	DRAWN	CHECKED	APPROVED		
400 ~ 1000	±0.8					
1000 ~ 2000	±1.2	PHANJOONG				



KNS, Inc.

A3

A

B

C

D

E

F